

POHL

POHL
ECOPANEL[®]
SYSTEM

RAINSCREEN METAL FACADE



POHL FACADE SYSTEMS

All POHL systems are back ventilated rainscreen facades. For good reason: ventilated curtain walls easily meet all the complex requirements of modern building projects.

Metals such as aluminum, stainless steel and brass provide the cladding material for all our systems, giving you a rainscreen system with maximum energy efficiency, great freedom of design and a long service life.

MAXIMUM PROTECTION FROM ENVIRONMENTAL INFLUENCES

POHL rainscreen systems are always built with the following components: support frame, substructure, insulation, back ventilation and cladding. A well-thought-out concept with many constructive advantages:

Property: Grafenberger Höfe, Düsseldorf, Germany

Architect: Alf Prasch & Architekten

Facade system: POHL Ecopanel

Material: Aluminum

Effective protection of the underlying components from environmental influences



Convenient assembly and tolerance compensation



High resistance to mechanical stress and vandalism



Highest fire protection standard (EN 13501-1)



Two-stage protection against heavy and driving rain



Optimal sound insulation (up to 14 dB higher sound reduction index)



Simple replacement of damaged elements



Protection from overheating in summer and flexible shadowing options



Dry insulation layer and variable insulation thickness



Healthy interior climate

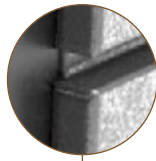


POHL ECOPANEL AT A GLANCE

POHL ECOPANEL is the right choice for architectural ideas with a slim, horizontal emphasis. The system can be easily installed and impresses with its high-quality optics. Metals such as aluminum, stainless steel and brass provide the cladding material for all our systems.

Together with our broad surface portfolio we offer you maximum design possibilities with a cost-efficient facade system.

Property: Yachtclub Kiel, Germany
Architect: Nagel Architekten
Facade system: POHL Ecopanel
Material: Steel



Panel look with rounded edges

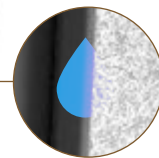
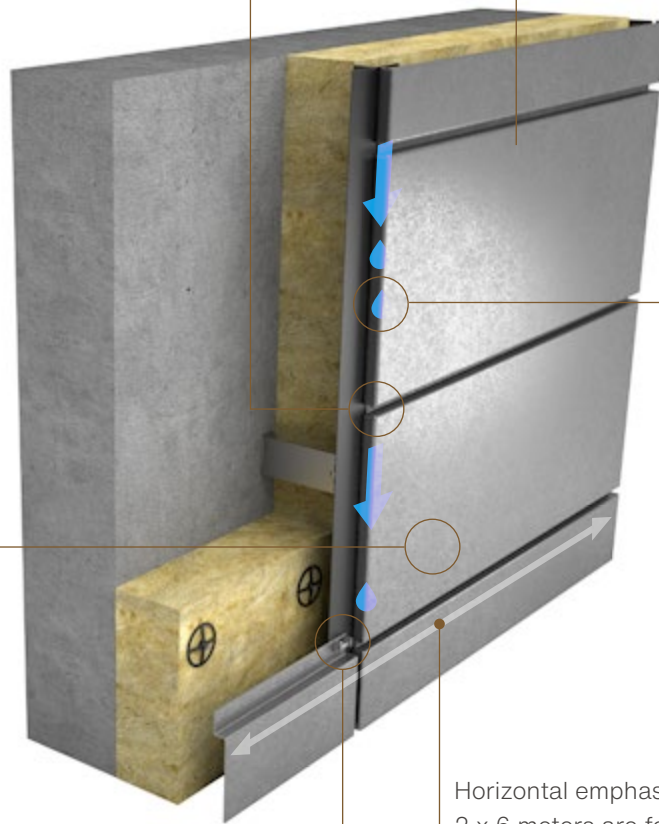


- CE mark of conformity
- DIN EN 1090
- Highest fire resistance class A1



Wide range of materials:

- Brass
- Stainless Steel
- Aluminum
- Weathering steel
- Zinc
- Steel



Intelligent drainage via integrated tracks

Horizontal emphasis up to 2 x 6 meters are feasible



Easy installation

SAVE TIME AND COSTS IN ENGINEERING

Every architectural design is unique. Nonetheless planning time and costs can be significantly reduced through the professional development of lead details.

**UP TO
30%
TIME SAVED IN
PLANNING**


We provide you with all the details of the POHL rainscreen facade system in 2D and 3D and our technical planning department will support you in the detailed engineering of your specific project.

BIM READY

Your project is BIM-based?
We have the appropriate data available.

**EXTREMELY
LOW ERROR
RATE**

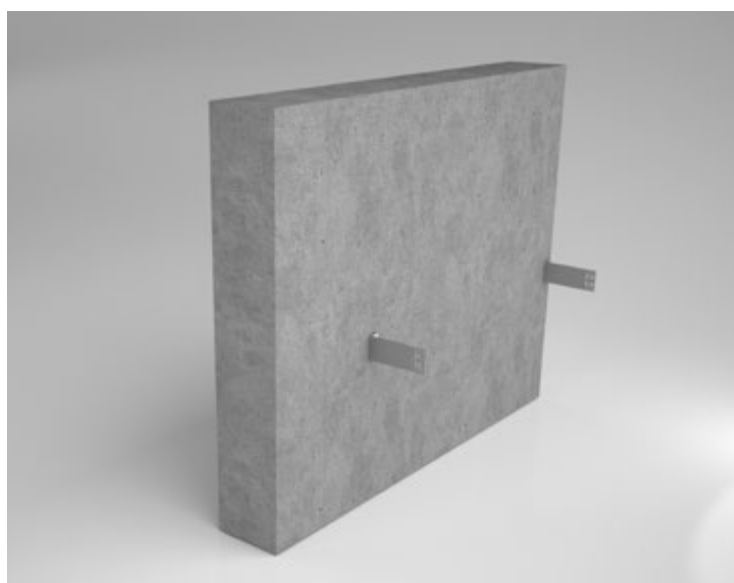
The high degree of detail in our technical drawings guarantees a smooth implementation for the entire project implementation.



Property: Kaicenter, Düsseldorf, Germany
Architect: Döring & Partner
Facade system: POHL Ecopanel
Material: Aluminum

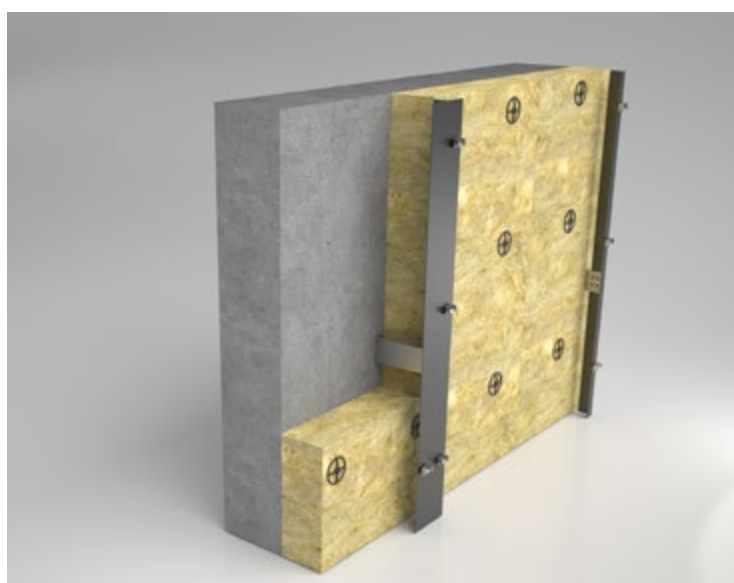
EASY INSTALLATION

POHL Ecopanel follows the modular principle. The suspension pins and the support rails are already prefabricated to size and facilitate installation. The degree of prefabrication is adjusted individually depending on the situation on site.



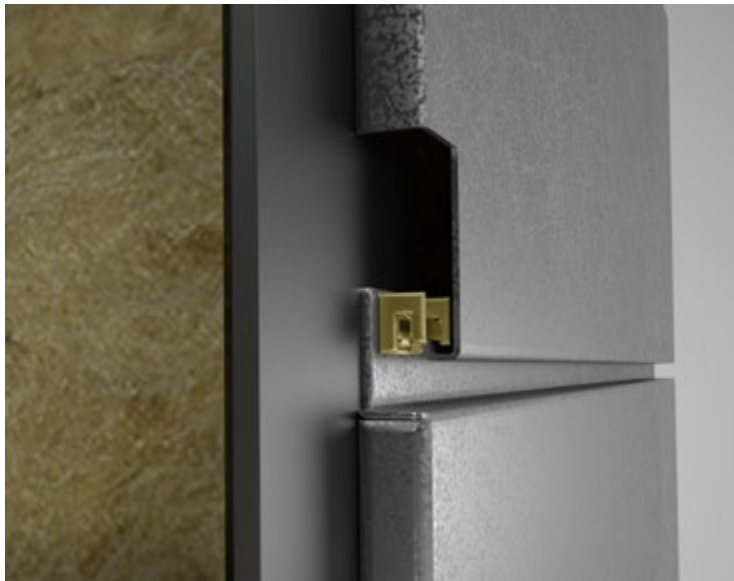
INSTALLATION OF THE WALLBRACKET

The multiple pre-punched wall brackets allow compensation for carcass tolerances of +/- 25 mm. By using stainless steel wall brackets ensures the highest energy requirements are fulfilled.



FASTENING THE INSULATION LAYER

The insulation material is cut at the points of the spacers and guided over them to the outer wall. In the next step, the mounting rails are fixed to the brackets.



FIT PANELS AND FASTEN WITH SCREWS

By using the POHL Clip the panels are sequentially inserted and screwed tight.

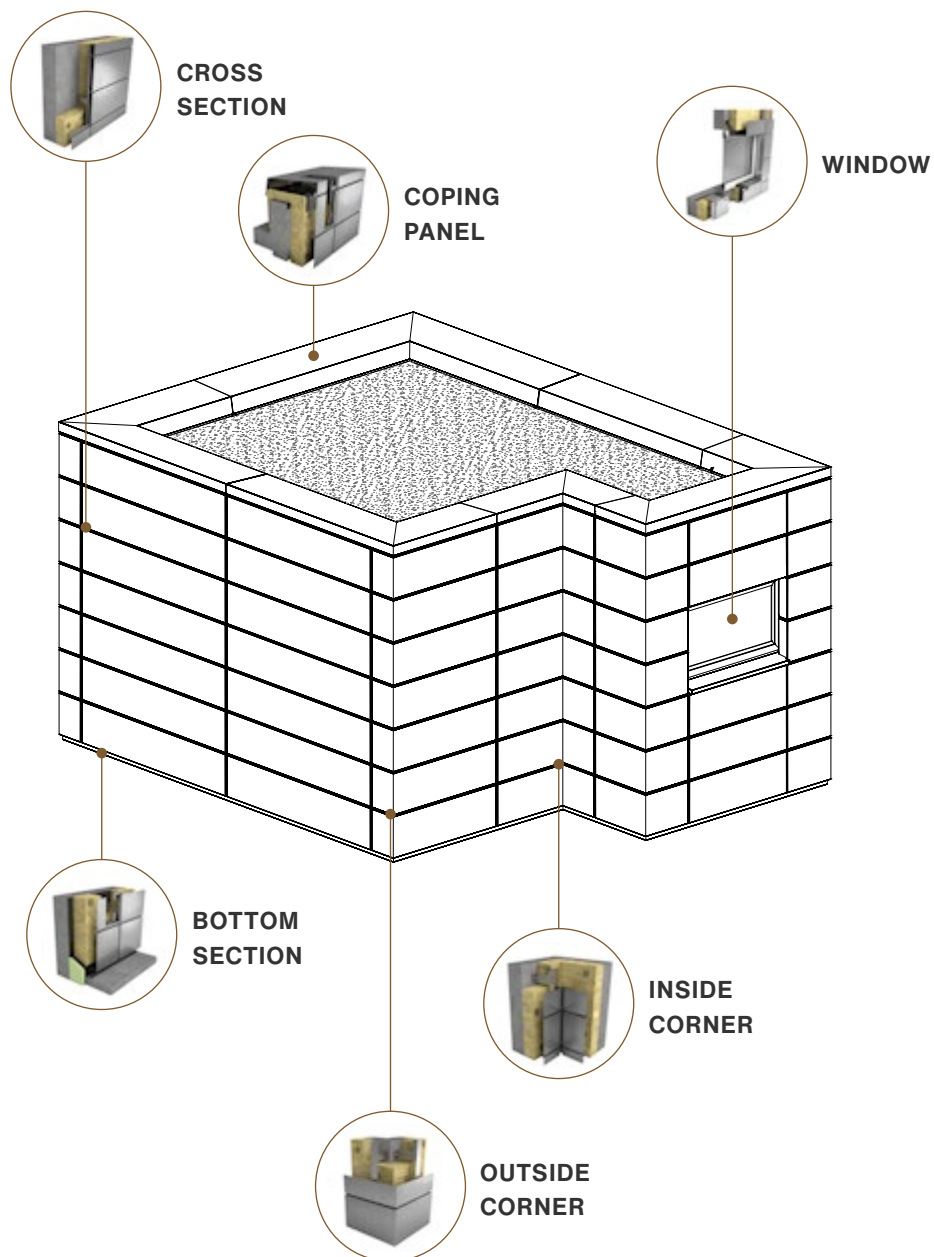


RESULT

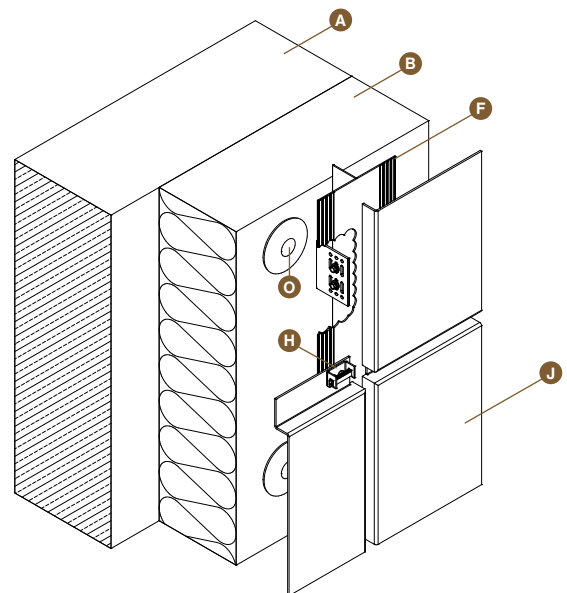
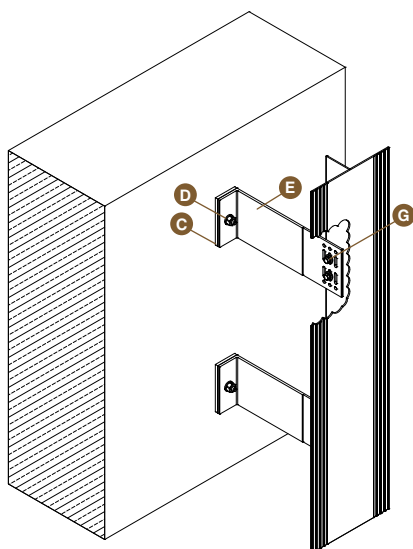
POHL Ecopanel is successfully installed and protects the building effectively and sustainably.

POHL ECOPANEL

Based on the standard details, POHL Ecopanel can be used for the building envelope as well as interior cladding.



CROSS SECTION



A Concrete

B Insulation

C Thermal skin

D Anchor bolt

E POHL Bracket

F POHL Track

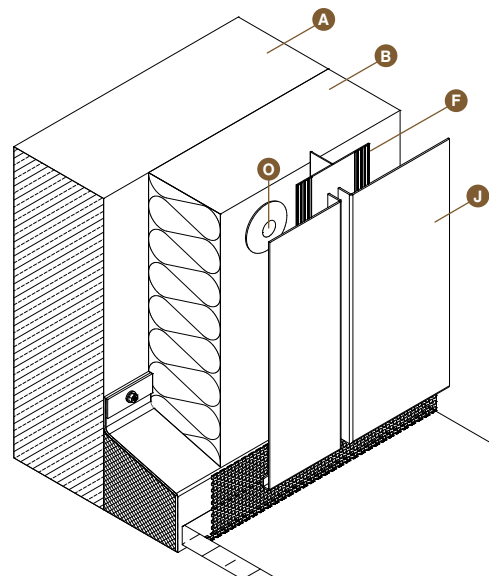
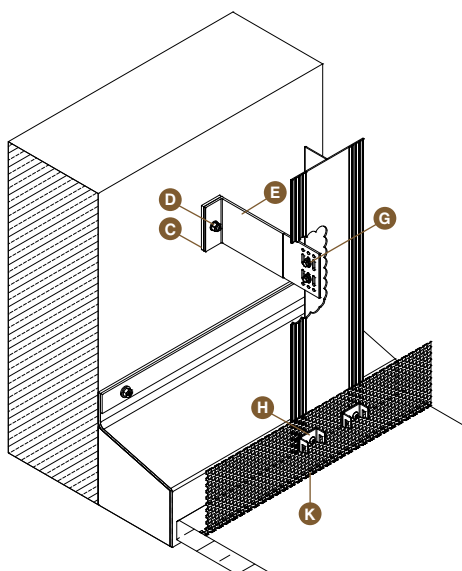
G Self-drilling screw

H POHL Eco-clip

J POHL Ecopanel

O Insulation pin

BOTTOM SECTION



A Concrete

B Insulation

C Thermal skin

D Anchor bolt

E POHL Bracket

F POHL Track

G Self-drilling screw

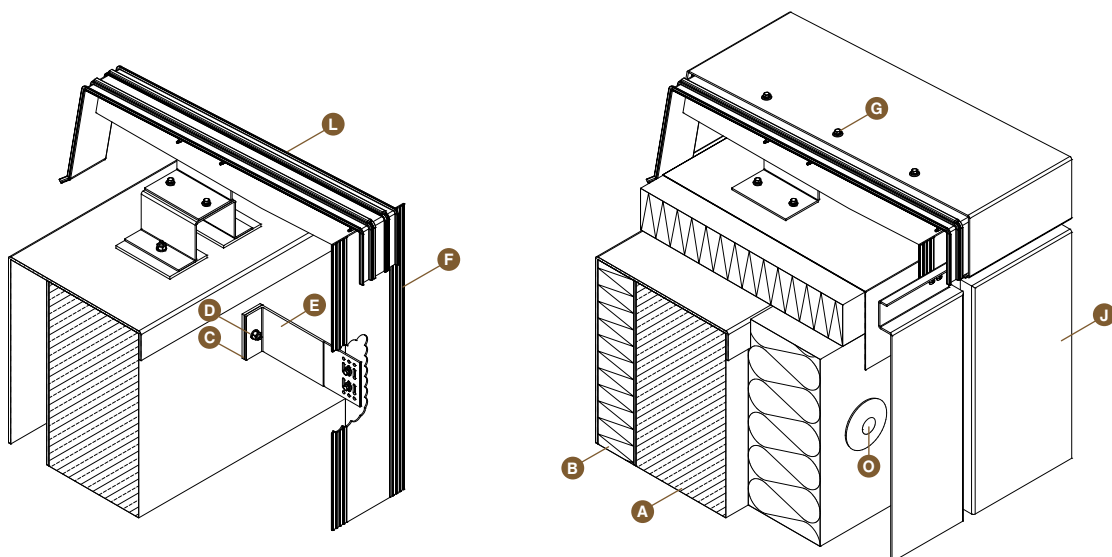
H Splice plate

J POHL Ecopanel

K Vermin screen

O Insulation pin

COPING PANEL



A Concrete

B Insulation

C Thermal skin

D Anchor bolt

E POHL Bracket

F POHL Track

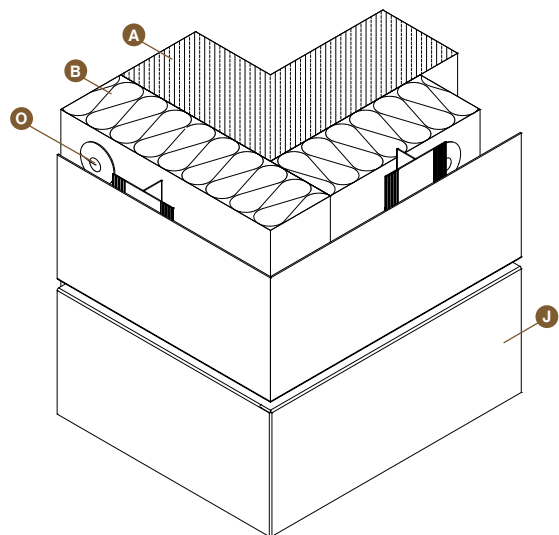
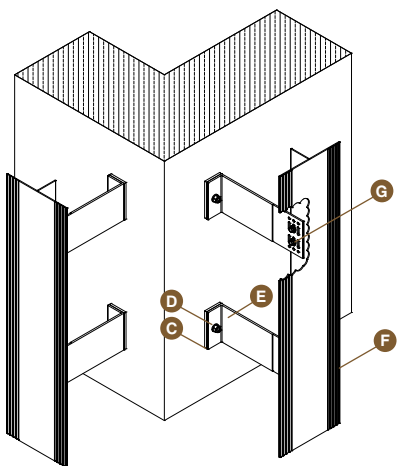
G Self-drilling screw

J POHL Ecopanel

L Splice plate

O Insulation pin

OUTSIDE CORNER



A Concrete

B Insulation

C Thermal skin

D Anchor bolt

E POHL Bracket

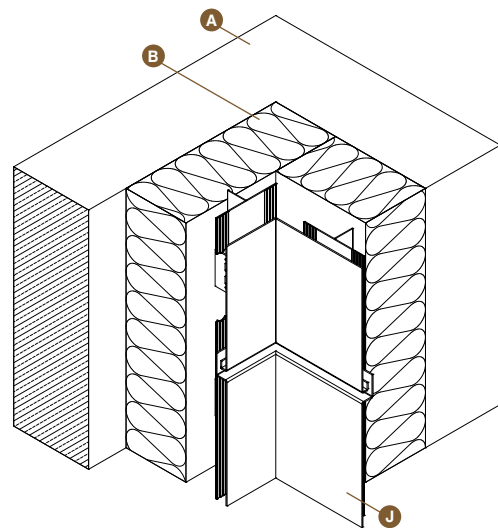
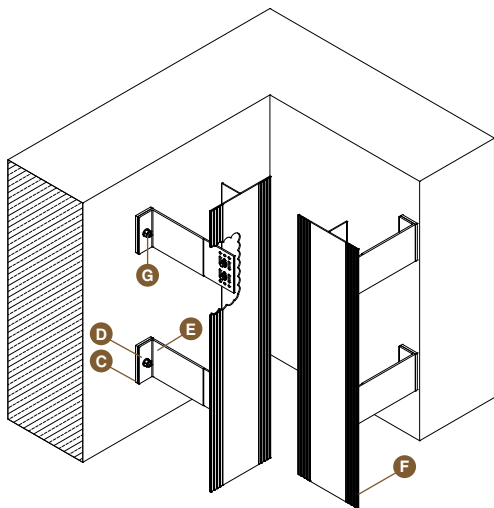
F POHL Track

G Self-drilling screw

J POHL Ecopanel

O Insulation pin

INSIDE CORNER

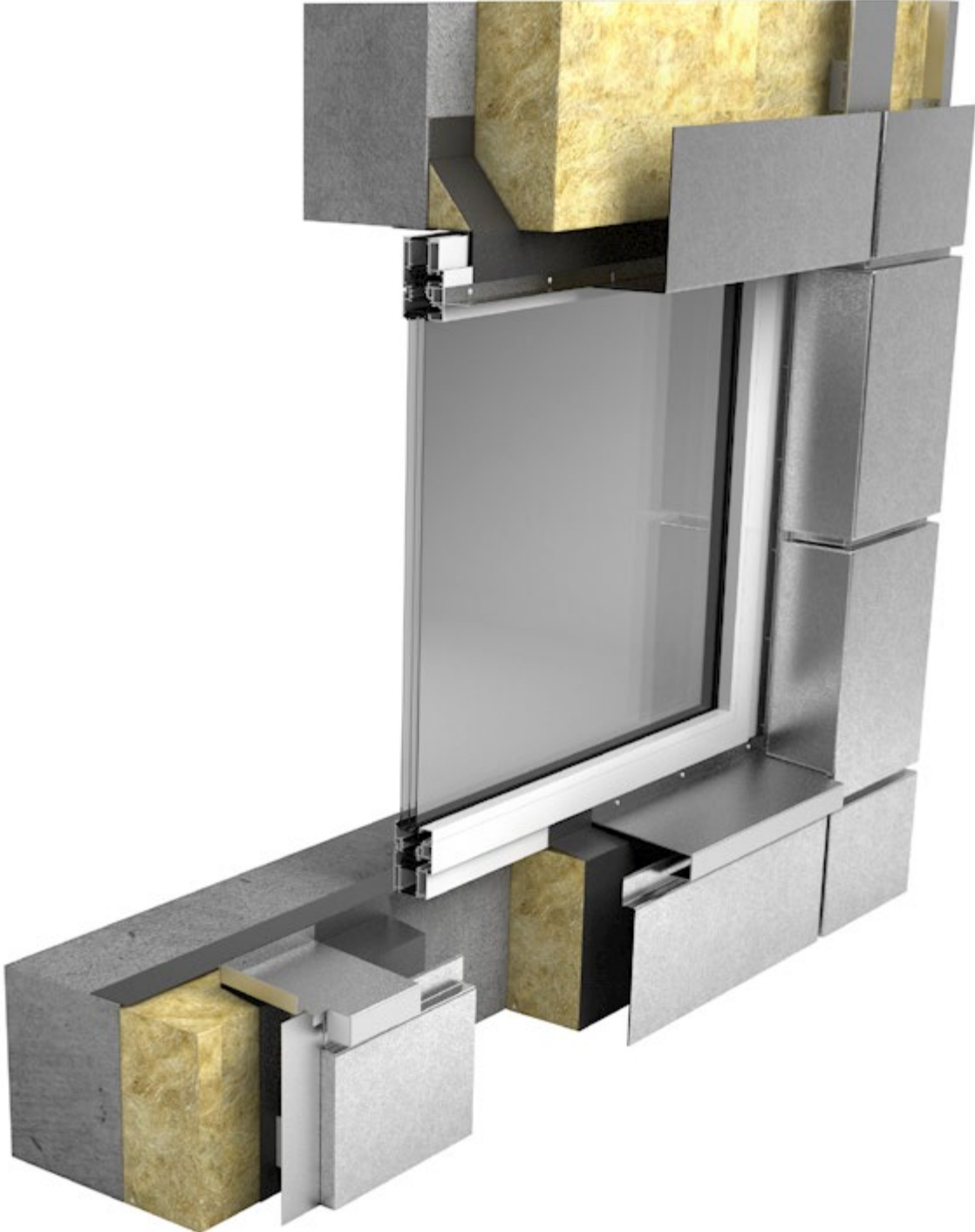


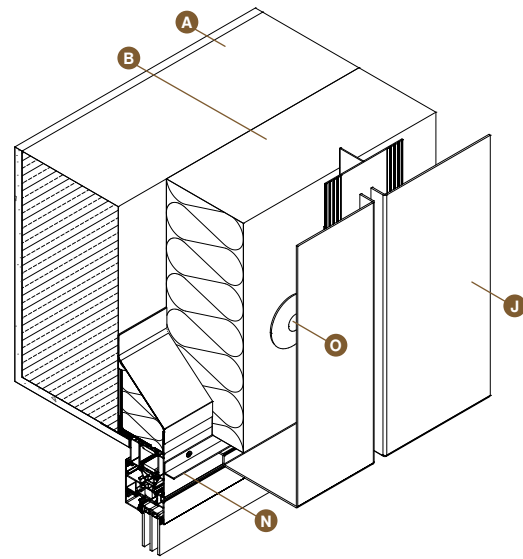
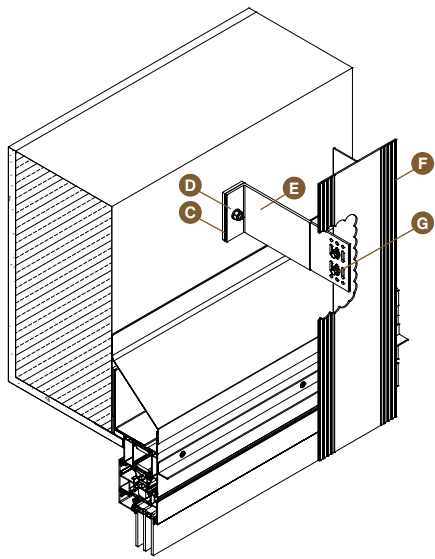
A Concrete
B Insulation
C Thermal skin

D Anchor bolt
E POHL Bracket
F POHL Track

G Self-drilling screw
J POHL Ecopanel

WINDOW





A Concrete

B Insulation

C Thermal skin

D Anchor bolt

E POHL Bracket

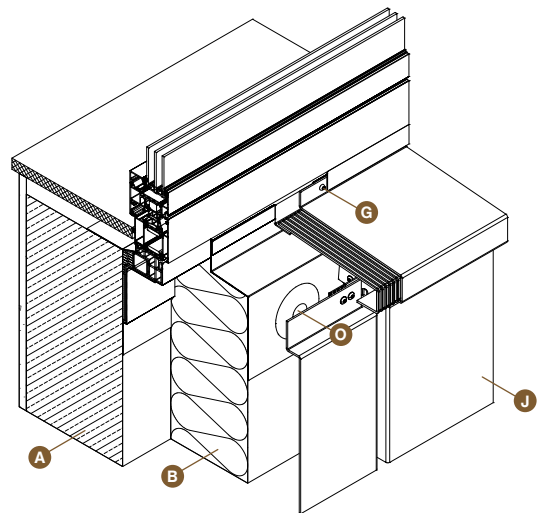
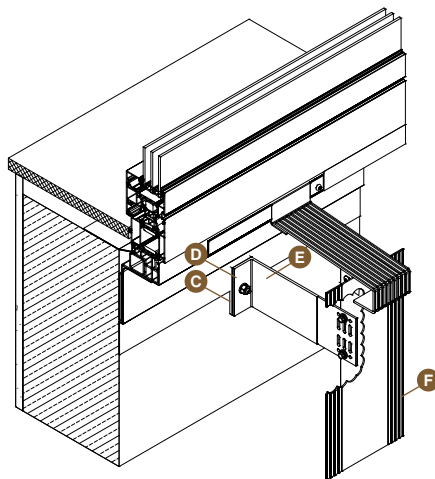
F POHL subconstruction

G Self-drilling screw

J POHL Ecopanel

N Angle profile

O Insulation pin



A Concrete

B Insulation

C Thermal skin

D Anchor bolt

E POHL Bracket

F POHL subconstruction

G Self-drilling screw

J POHL Ecopanel

O Insulation pin

POHL 360° SERVICE FOR YOUR PROJECT SUCCESS

Architecture, facade construction and sustainability – a complex building project must be coherent from all perspectives. We offer you the technical expertise right from the start to bring all sides together. POHL's interdisciplinary team of sales, project management, technology and production is at your disposal.

Are you working towards a LEED or Bream certification?
We will support you: certification@pohl.net



Property: Forschungszentrum Caesar, Bonn, Germany

Architect: BMW Architekten, BDA & Partner

Facade system: POHL Ecopanel

Material: Stainless Steel



100 PERCENT ENVIRONMENTAL RESPONSIBILITY

Responsible use of resources is one of our core corporate values. Through an optimized supply chain, we are able to reduce the CO² footprint of our products to a minimum. Starting with the purchase of emission-free base material, through resource-saving production to well thought-out packaging concepts and a 100% recycling rate.



POHL Group of Companies

POHL FACADE DIVISION

POHL Metal Systems GmbH
Robert-Bosch-Str. 6
50769 Cologne
Germany

Tel.: +49 221 70911-0

info@pohl-facades.com
www.pohl-facades.com

GET IN TOUCH

